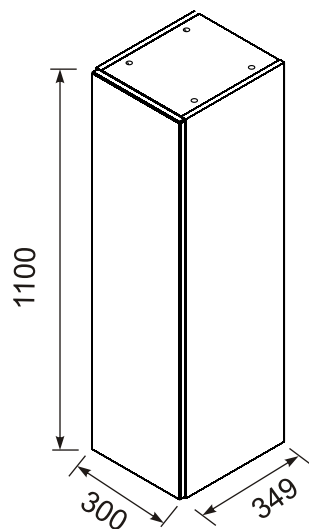


ORiSTO

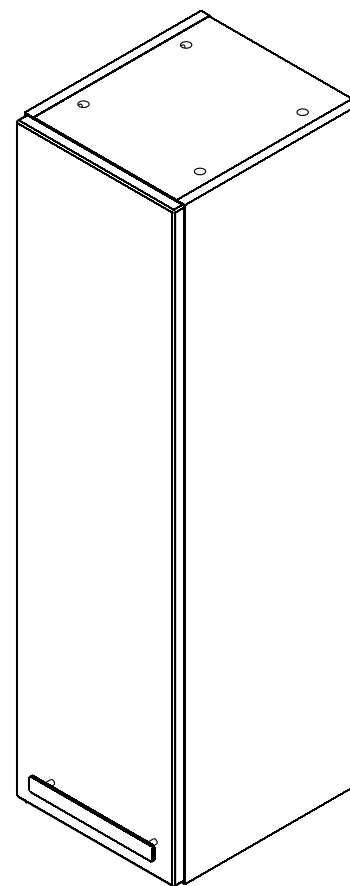
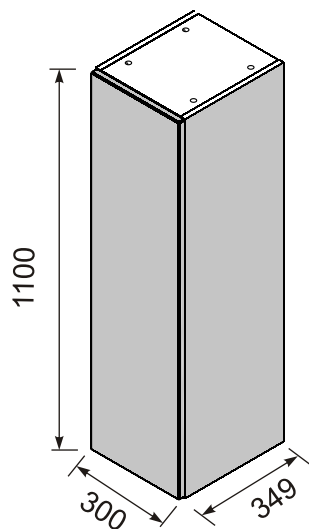
OPAL OR30-SB1D-30...

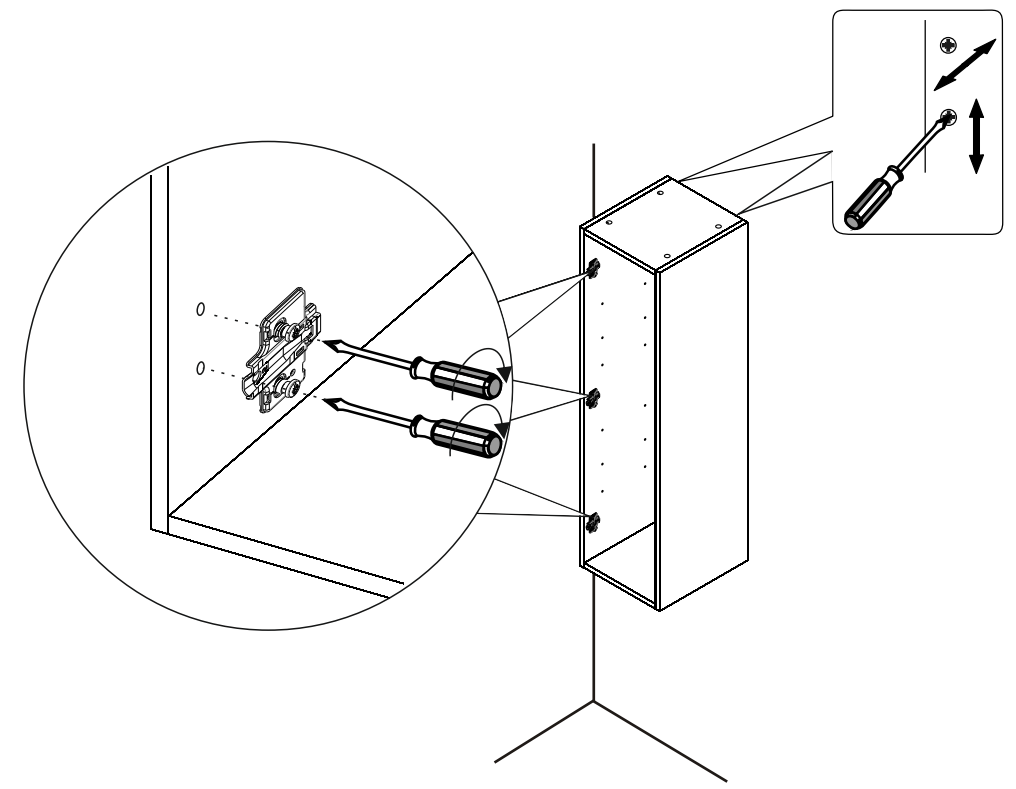
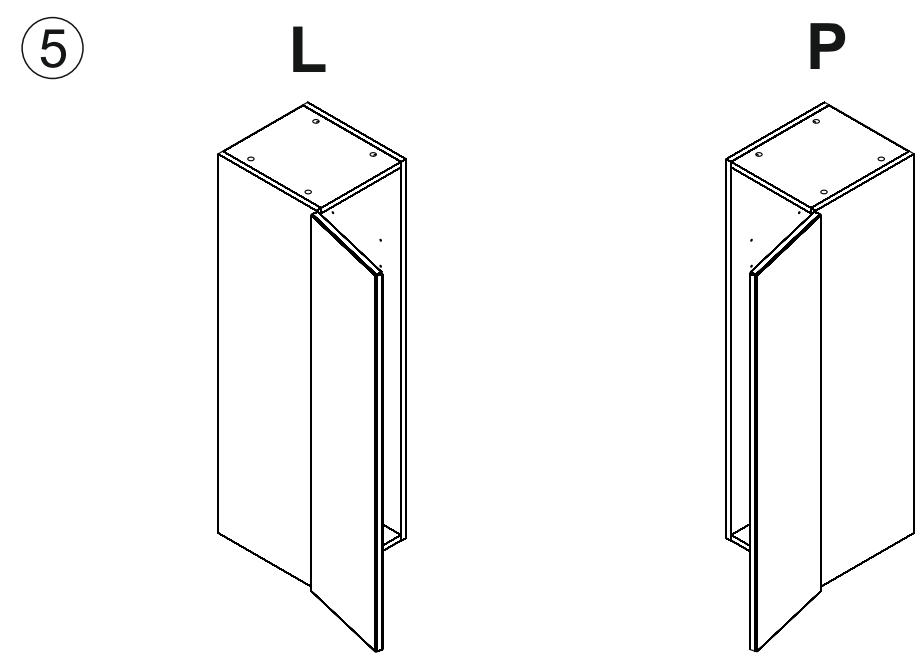
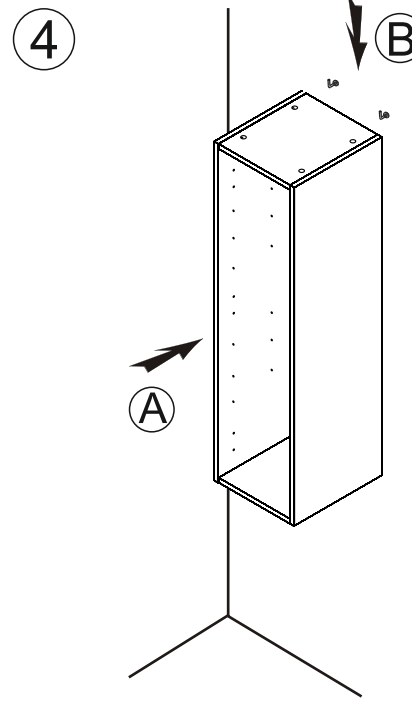
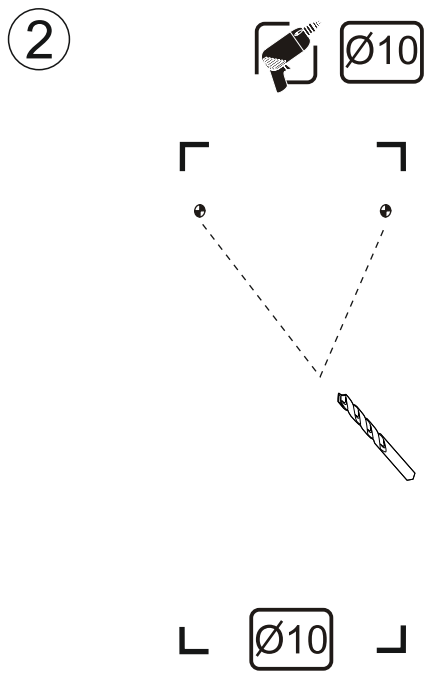
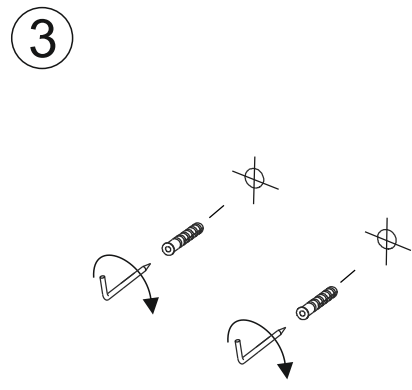
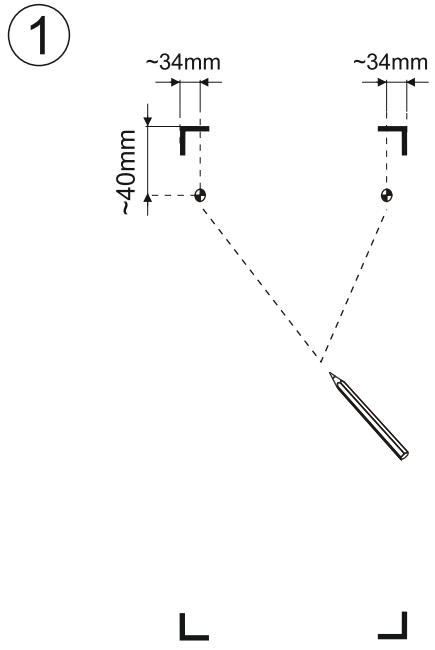
- | | | |
|----|---------------------|--------------------------|
| PL | SZAFKA BOCZNA | INSTRUKCJA MONTAŻU |
| GB | SIDE CABINET | INSTALLATION INSTRUCTION |
| FR | CABINET DE CÔTÉ | INSTRUCTIONS DE MONTAGE |
| RU | БОКОВОЙ ШКАФЧИК | ИНСТРУКЦИЯ МОНТАЖА |
| ES | LATERAL DE GABINETE | INSTRUCCIONES DE MONTAJE |
| TR | YAN KABINE | INSTRUKSJA MONTAJ |

OR30-SB1D-30-1

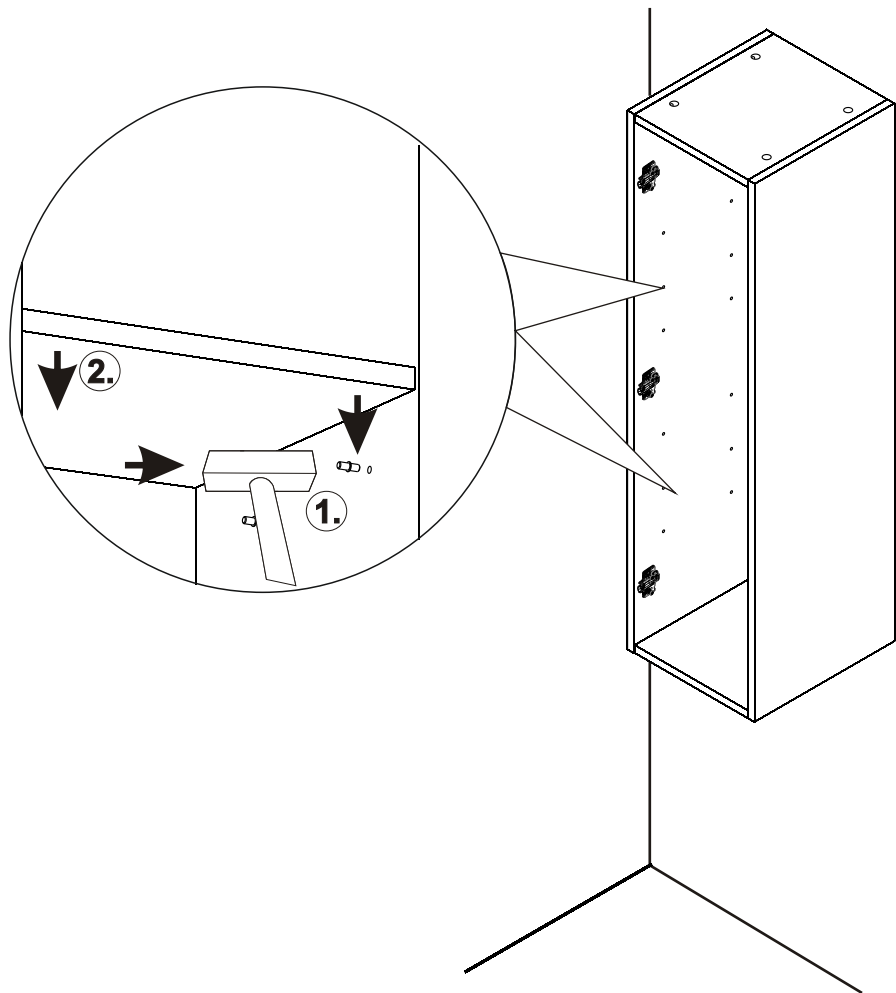


OR30-SB1D-30-3

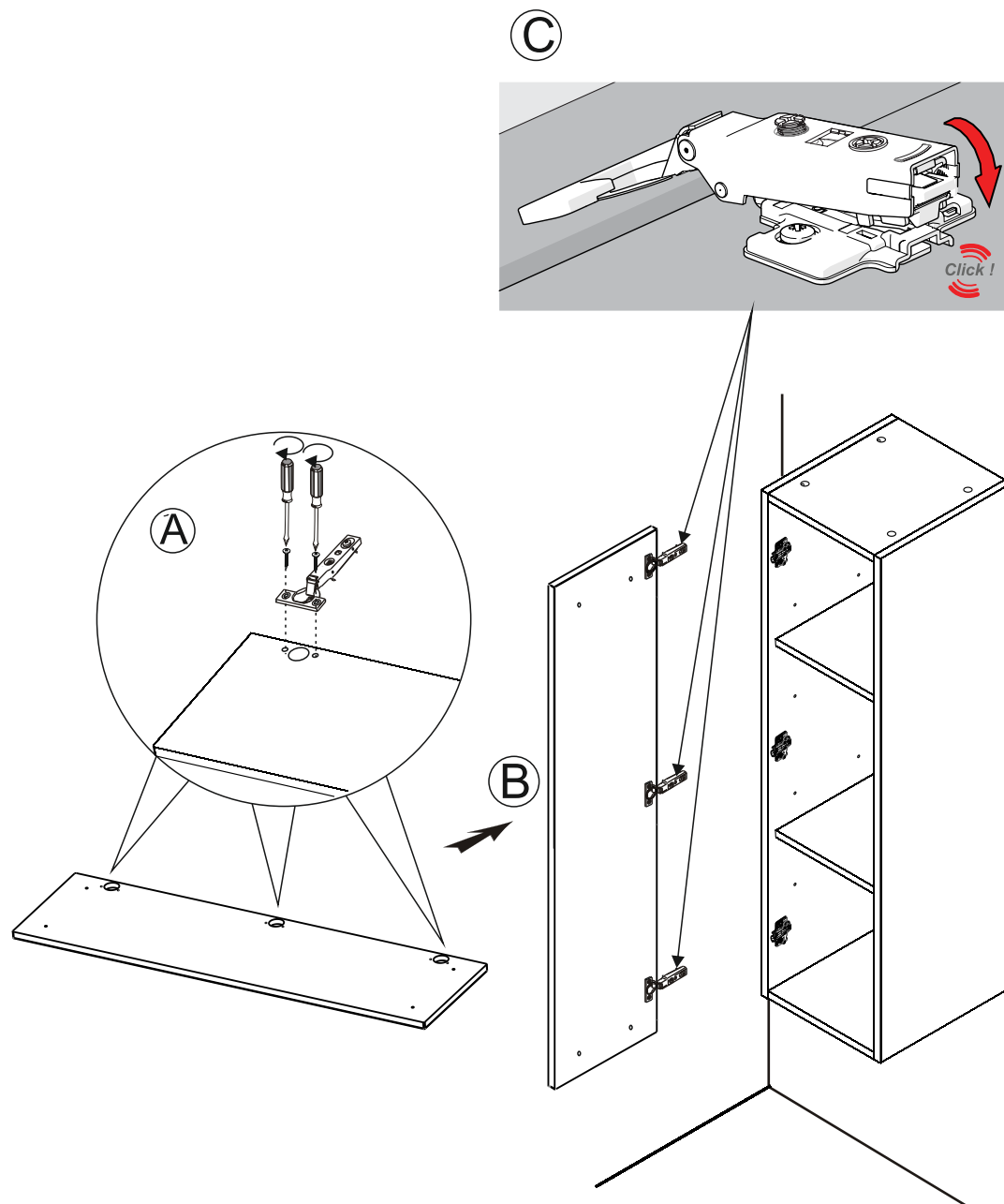




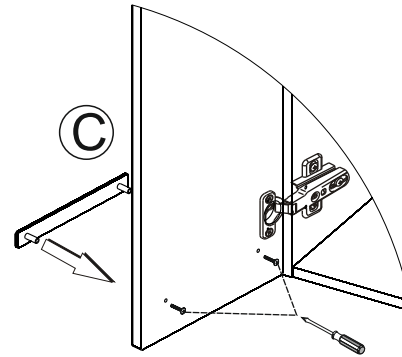
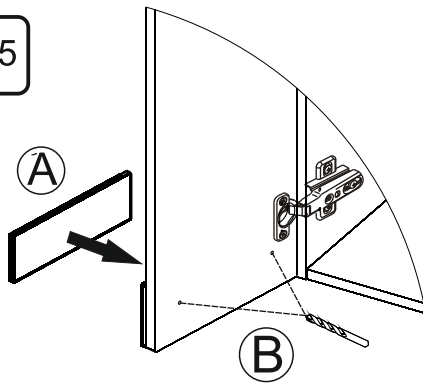
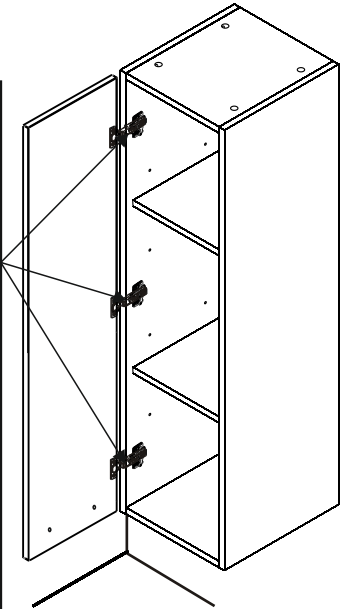
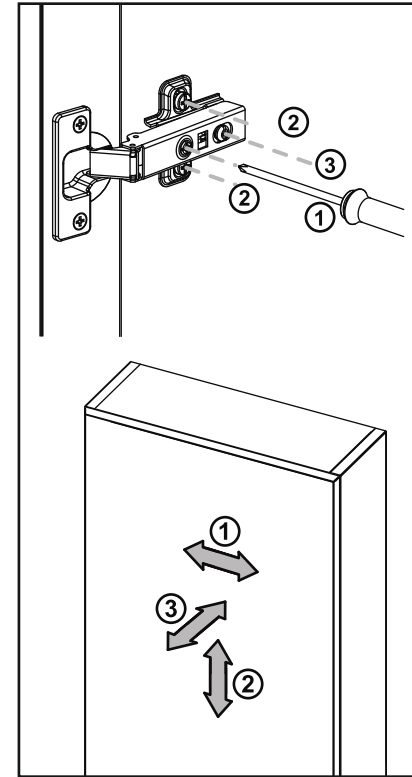
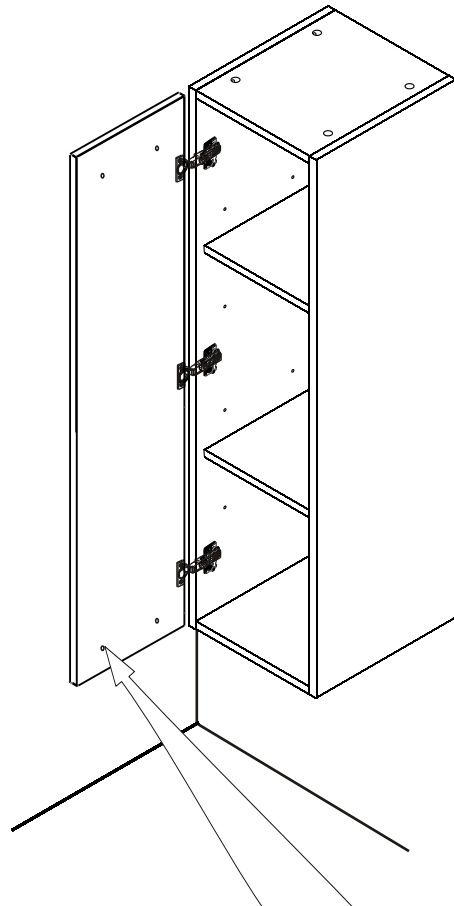
6



7



8



UWAGA!!! W TRAKCIE WIERCENIA DOCISKAĆ KŁOCEK PO PRZECIWNEJ STRONIE
ATTENTION!!! PLEASE USE A DRILL WITH 5MM DIAMETRE AND PUSH TIGHTLY THE
BLOCK OF WOOD TO THE OPPOSITE SIDE WHILE DRILLING. PLEASE BE CAREFUL TO
NOT HURT THE HAND.

